

ASSEMBLY INSTRUCTION



ITEM # SP025 SAINT PETE BARSTOOL SIZE : W19" x D21" x H41"






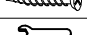




Thanks you for purchasing this quality product

ASSEMBLY TIPS :

1. Remove hardware from box and sort by size
2. Please check to see that all hardware and parts are present prior start of assembly
3. Please follow attached instructions in the same sequence as numbered to assure fast & easy assembly

Warning !

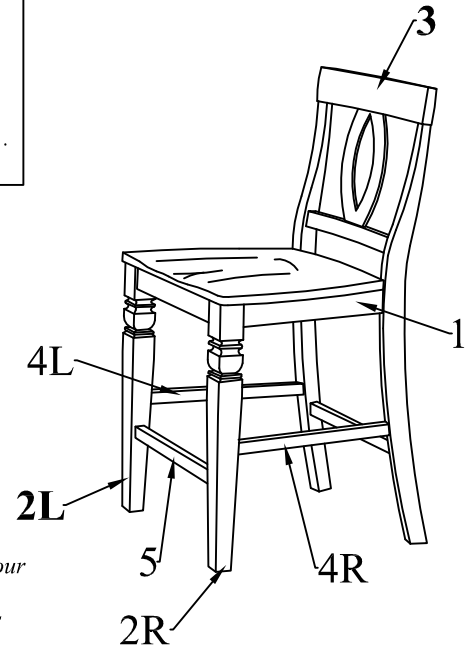
1. Don't attempt to repair or modify parts that are broken or defective . Please contact the store immediately .
2. This product is for home use only and not intended for commercial establishment

HARDWARE LIST		
No	Description	Qty
A	Allen Key M4 (Short) 	1 pc
B	Jcbc Screw M6 x 80mm 	4 pcs
C	Jcbc Screw M6 x 35mm 	3 pcs
D	Spring Washer 1/4" 	7 pcs
E	Flat Washer 1/4" 	7 pcs
F	Wood screw M4 x 38mm 	6 pcs
G	Spanner 12.8 	1 pc
H	Hex Nut 5/16" 	4 pcs
I	Spring Washer 5/16" 	4 pcs
J	Flat Washer 5/16" 	4 pcs

PART LIST		
No	Description	Qty
1	Box Frame & Seat	1Pc
2	Front Leg L&R	2Pcs
3	Back Rest	1Pc
4	Side Stretcher L&R	2Pcs
5	Front Stretcher	1Pc

CARE & MAINTENANCE :

- * The touch of a soft cloth is all the maintenance your wood pieces will ever need.
- * Never use harsh chemicals or abrasive cleaner as they could marks or destroy finish.

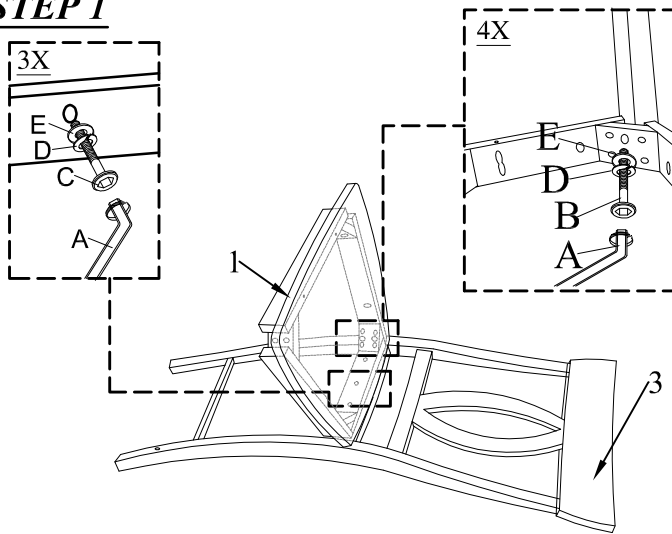


FULLY SETUP

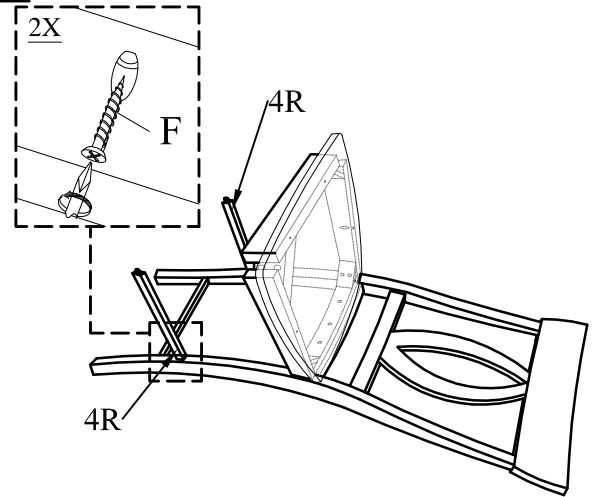
IMPORTANT NOTE :

- * Place all wooden parts on a clean and smooth surface such as a rug or carpet to avoid the parts from being scratched
- * Before you begin , Kindly follow the assembly instructions step by step

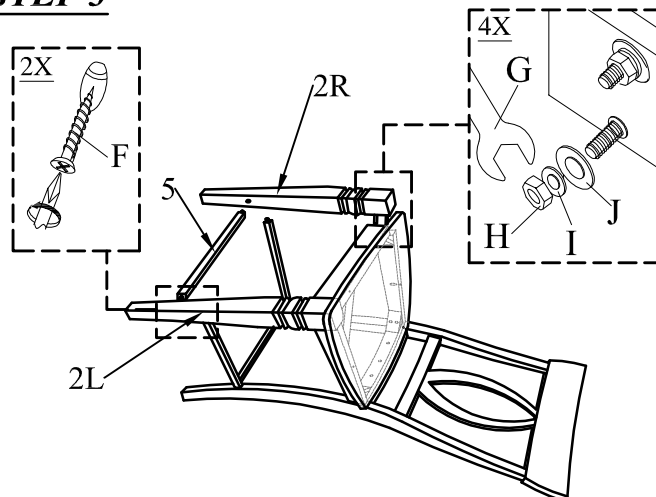
STEP 1



STEP 2



STEP 3



STEP 4

